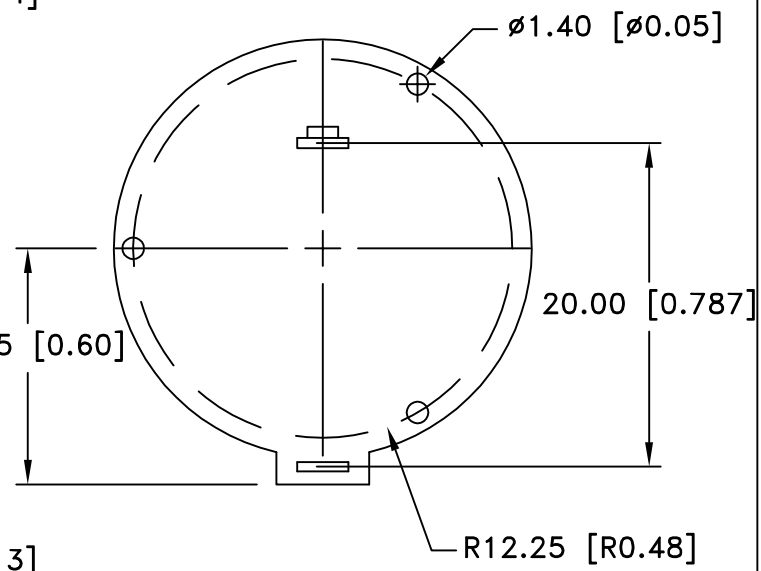
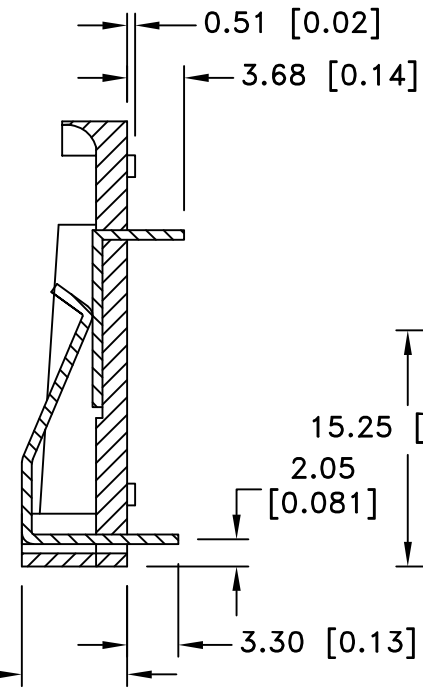
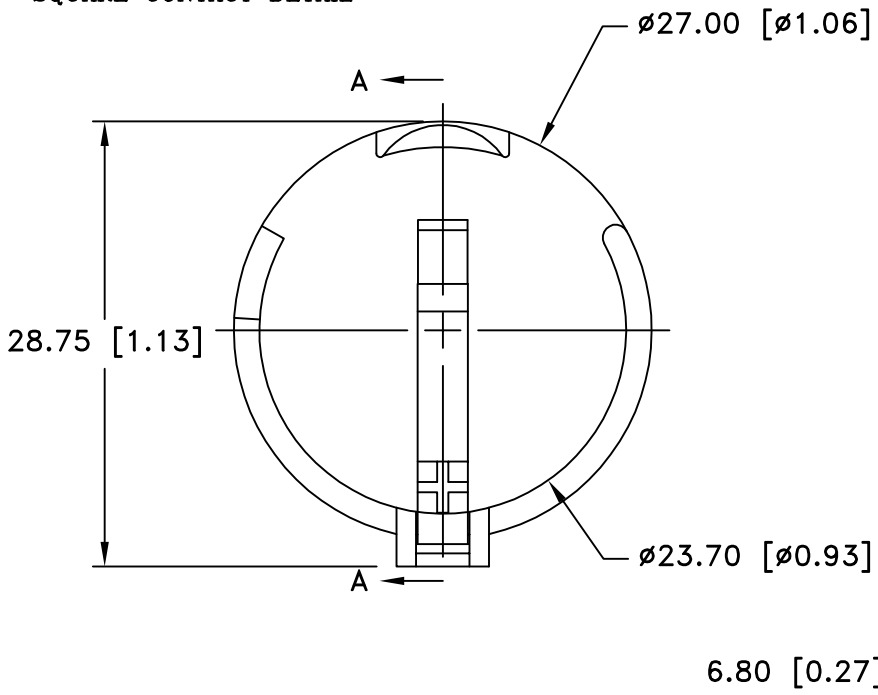



Date	SYM	REVISION RECORD	AUTH	DR.	CK.
06/25/05	B	#58 Drill size was Ø1.32 for PCB layout	T B	B S	
10/01/05	C	Added contact details Changed material thickness Changed temperature range	T B	B S	
10/22/05	D	Added "ROHS COMPLIANT"	T B	B S	
7/08/06	E	Updated Contact Details	T B	B S	
1/13/07	F	Added dim. 20.00 & 15.25	T B	B S	



NOTES:
MATERIAL:
 HOLDER: PBT, BLACK, UL94V-0, UL FILE NO. E53829
 POS. CONT.: PHHOS-BRONZE, 0.0236" THICK, NICKEL PLATED
 NEG. CONT.: 302/304 STN. STL., 0.0236" THICK, NICKEL PLATED
 TEMPERATURE RANGE: -40°C TO 140°C
 ROHS COMPLIANT

Tolerance (Except as noted)	 Memory Protection Devices, Inc 200 Broad Hollow Road, Farmingdale, New York 11735	Scale	Drawn By B.S.
			Approved By T.B.
decimal ±.5 (.020)	Title 23mm BATTERY HOLDER WITH EASY IN-OUT		
Fractional ± .8 (.030)		Date 1/13/07	Drawing Number BH908T-C
Angular ± 3°			